

6 DISASSEMBLY/ASSEMBLY PROCEDURES

6.1. CABINET SECTION

6.1.1. Disassembly Flowchart

This flow chart indicates the disassembly steps of the cabinet parts and the P.C. Boards in order to gain access to item (s) to be serviced. When reassembling, perform the step (s) in the reverse order. Bend, route and dress the wires as they were originally.

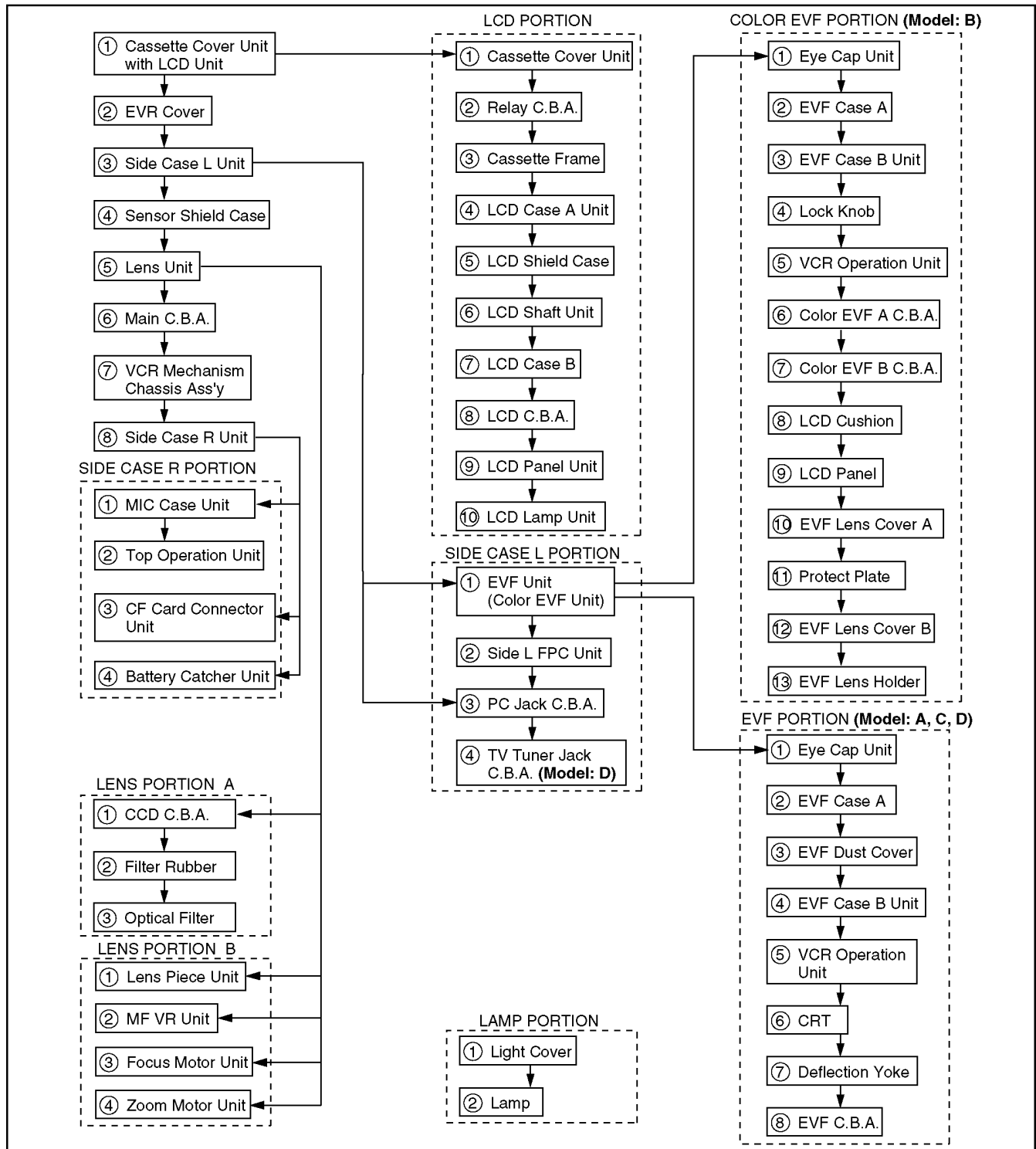


Fig. D1

Note :

- When removing the cabinet, work with care so as not to break the Locking Tabs.
- Place a cloth or some other soft material under the P.C. Boards or Unit to prevent damage.
- When reinstalling, ensure that the connectors are connected and electrical components have not been damaged.
- Do not supply power to the unit during disassembly and reassembly.

6.1.2. Main Parts Portion

STEP /LOC. No.	PART	Fig. No.	REMOVE
①	Cassette Cover Unit with LCD Unit	D2	2(L-1), (L-2), P9001
②	EVR Cover	D3	(S-1)
③	Side Case L Unit	D3	(S-2), (S-3), 3(S-4), (S-5), 2(S-6), Top Operation receptacle, P3, P38
④	Sensor Shield Case	D4	(S-7)
⑤	Lens Unit	D4	2(S-8), (L-3), FP4, FP8, FP9
⑥	Main C.B.A.	D5	2(S-9), (S-10), FP1, FP3, FP6, FP7, FP11, FP13, B2, P2
⑦	VCR Mechanism Chassis Ass'y	D6	(S-11), (S-12), 2(S-13)
⑧	Side Case R Unit	D6	-----

A B C D

How to read chart shown above:

A: Order of Procedure steps.

When reassembling, perform steps(s) in reverse order. These numbers are also used as the identification (location) No. of parts in Figures.

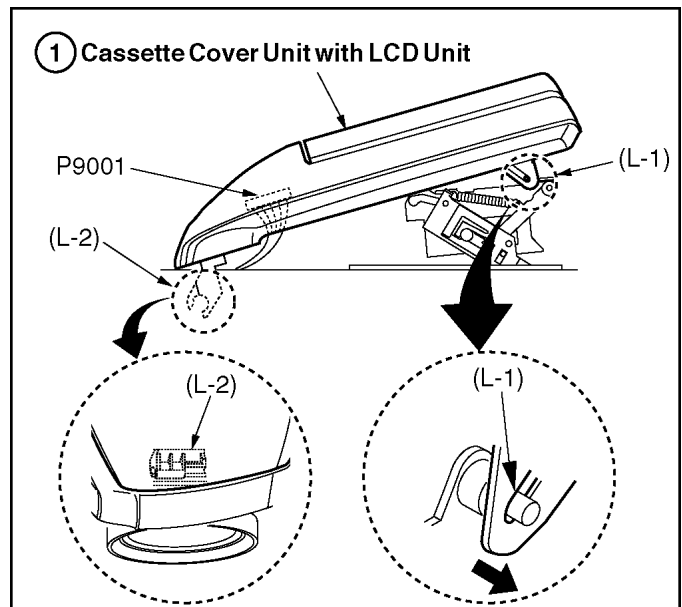
B: Part to be removed or installed.

C: Fig. No. showing Procedure or Part Location.

D: Identification of part to be removed, unhooked, unlocked, released, unplugged, unclamped, or unsoldered.

3(S-1) = 3 Screws (S-1), 2(L-1) = 2 Looking Tabs (L-1)

6.1.2.1. Cassette Cover Unit with LCD Unit



Note:

To open the Cassette Cover, place the unit with the Cassette Cover facing upward. And then, slide the EJECT button with the power ON, or remove the EVR Cover and slide the Lock Lever through TP Board slot.

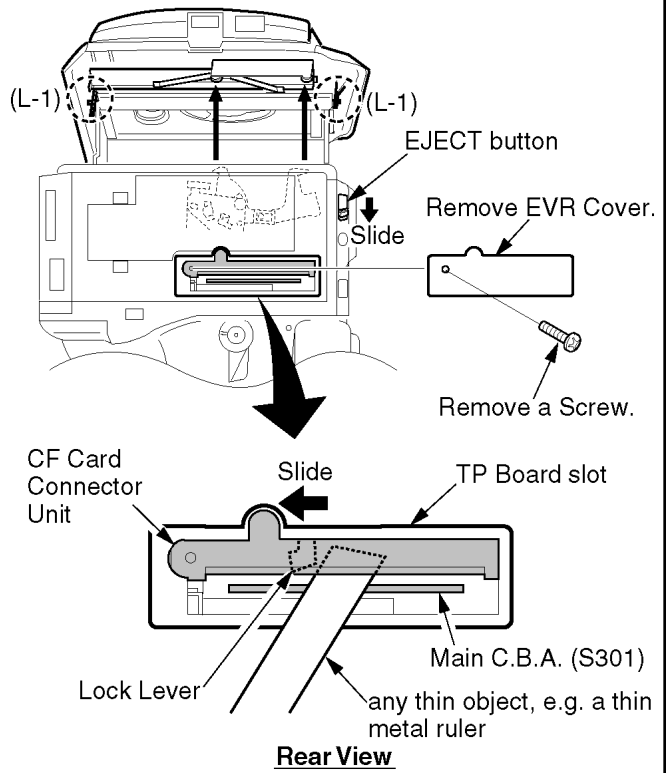
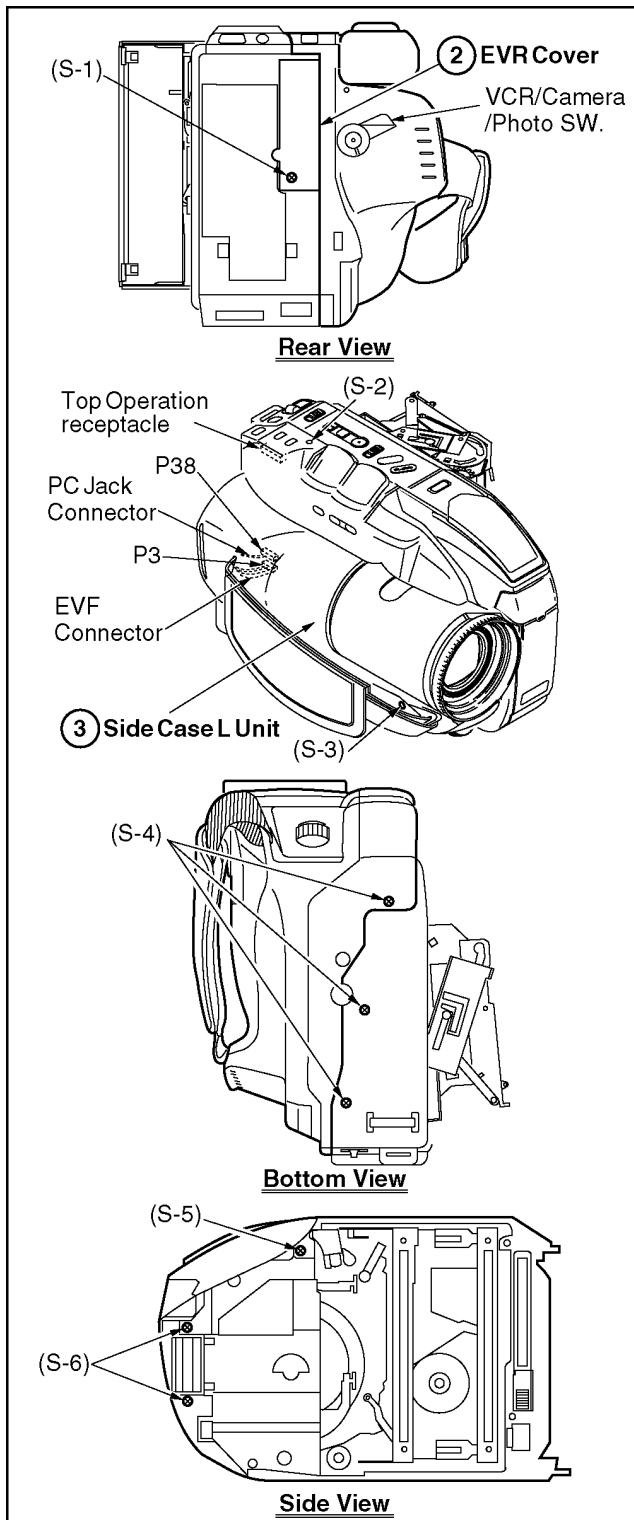


Fig. D2

6.1.2.2. EVR Cover, Side Case L Unit

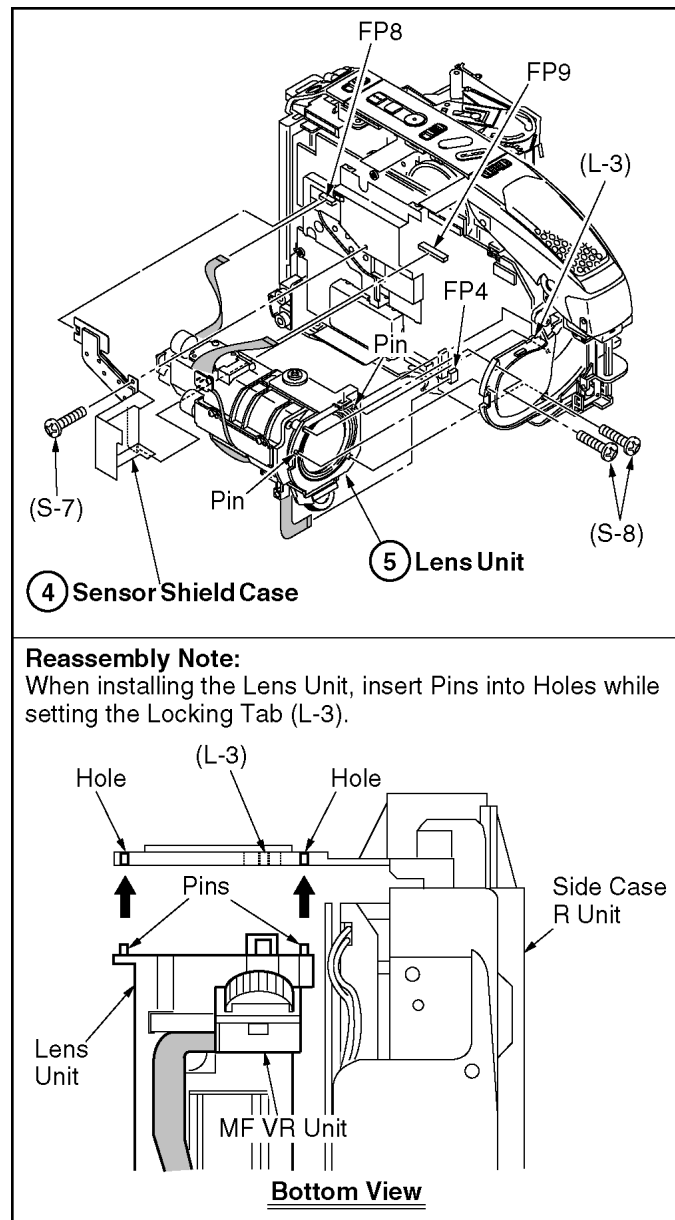


Reassembly Note:

- (1) Before installing the Side Case L Unit, set the VCR / Camera/Photo SW. to Camera mode or Photo mode.
- (2) Connect the EVF Connector to the Connector P3 on the Main C.B.A., and PC Jack Connector to the P38 on the Main C.B.A.
- (3) Install the Side Case L Unit, then tighten Screws.

Fig. D3

6.1.2.3. Sensor Shield Case, Lens Unit



Reassembly Note:

When installing the Lens Unit, insert Pins into Holes while setting the Locking Tab (L-3).

Fig. D4

6.1.2.4. Main C.B.A.

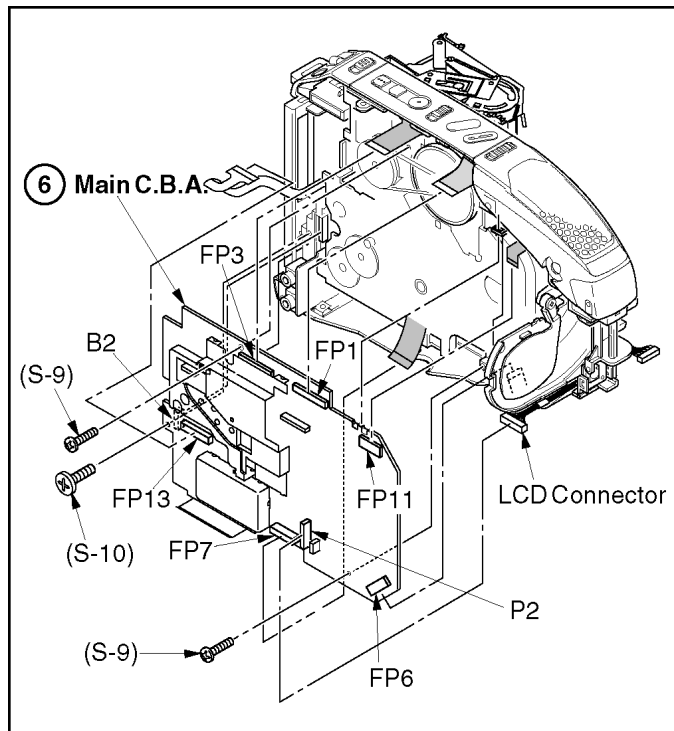
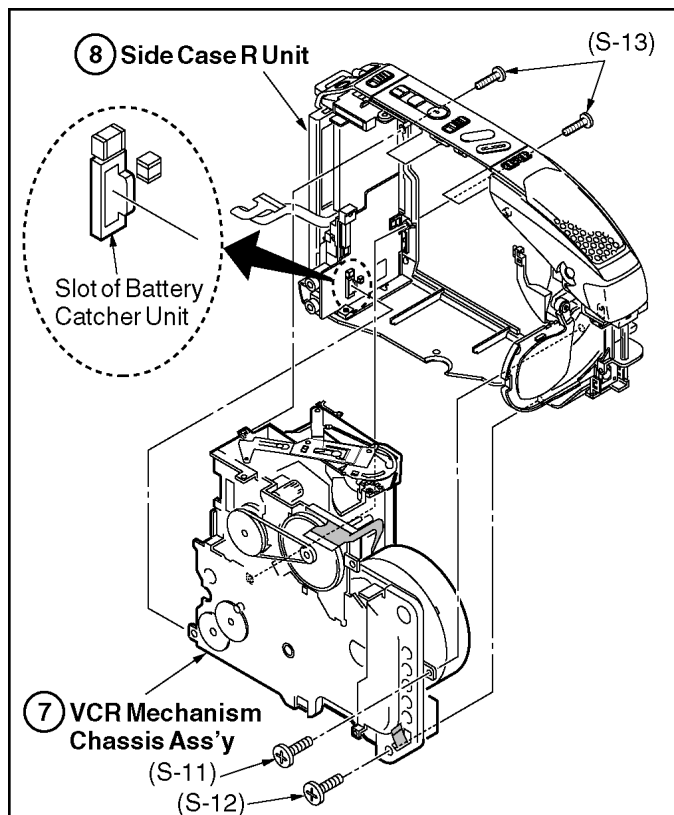


Fig. D5

6.1.2.5. VCR Mechanism Chassis Ass'y, Side Case R Unit



Reassembly Note:
The VCR Mechanism Chassis Ass'y is supplied with a Lock Screw installed. Make sure to remove the Lock Screw from Cassette Up Unit when replacing the VCR Mechanism Chassis Ass'y.

Fig. D6

6.1.3. LCD PORTION

STEP /LOC. No.	PART	Fig. No.	REMOVE
①	Cassette Cover Unit	D7-1	3(S-1), Barrier
②	Relay C.B.A.	D7-2	(S-2), FP9002
③	Cassette Frame	D7-2	2(S-3)
④	LCD Case A Unit	D7-3	2(S-4), 7(L-1)
⑤	LCD Shield Case	D7-4	2(S-5)
⑥	LCD Shaft Unit	D7-4	FP1201
⑦	LCD Case B	D7-4	2(S-6)
⑧	LCD C.B.A.	D7-5	FP9001, Unsolder
⑨	LCD Panel Unit	D7-5	8(L-2)
⑩	LCD Lamp Unit	D7-6	3(L-3), LCD Sheet Unit

6.1.3.1. Cassette Cover Unit

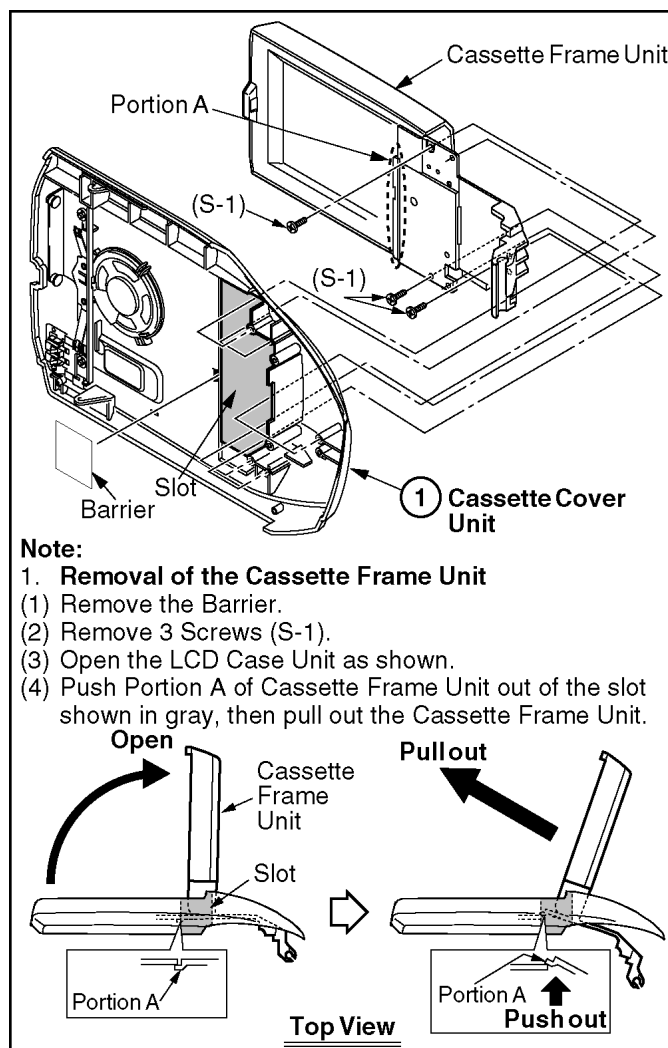


Fig. D7-1